



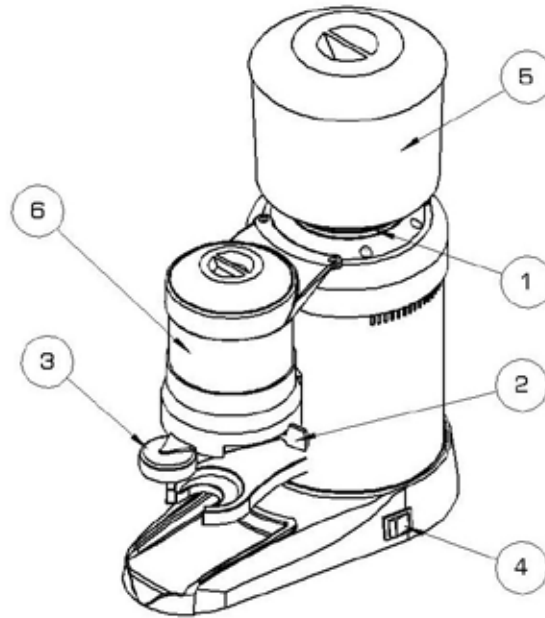
# COFFEE GRINDER

Versión: 3.0

## Instruction manual

More information go to [www.rilo.com.ar/products](http://www.rilo.com.ar/products)

## GET TO KNOW YOU RILO COFFEE GRINDER



1. Register
2. Dosage lever
3. Coffee press
4. Switch on interruptor
5. Deposit for coffee grains
6. Deposit for ground coffee

### TECHNICAL CHARACTERISTICS:

Capacity deposit for coffee grains: 1,5 Kg.

Capacity deposit for ground coffee: 0,4 Kg.

Connection to the electricity main : 220V / 50Hz

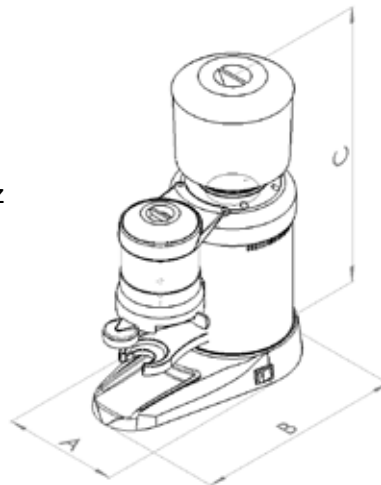
Upon request: 110V / 50Hz

### APROXIMATE DIMENSIONS

A: 220mm

B: 400mm

C: 560mm



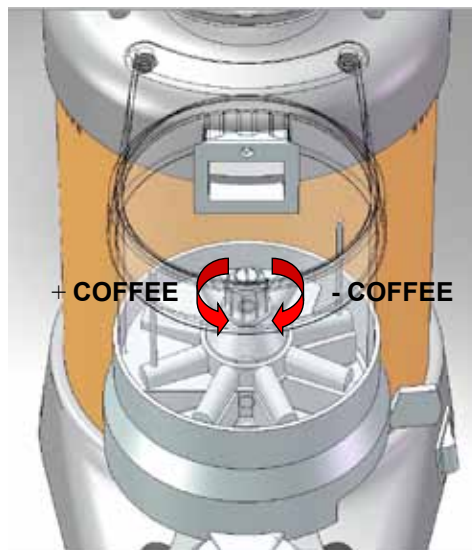
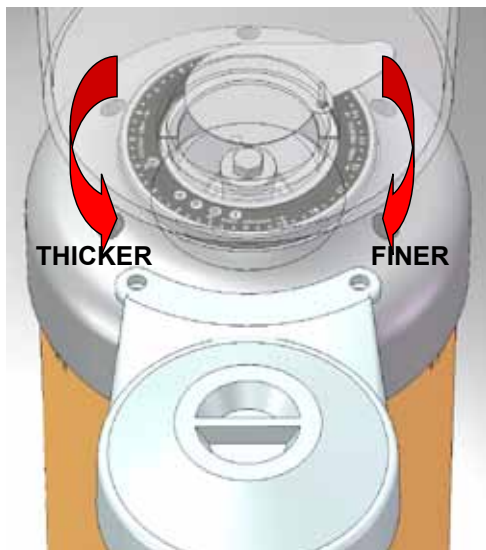


FIG. 1 FIG. 2

### GRINDING REGULATION (FIG. 1)

To regulate the coffee grinding, turn the register .

- Clockwise: **FINER/THINNER** grinding
- Anti-clockwise: **THICKER** grinding

**ATTENTION:** Take note that when making coffee , if it flows through the filterholder very slowly, it means that the grinding is too fine. INsted if it flows faster it means it is thick

### REGULATION OF THE COFFEE QUANTITY (FIG. 2)

Once the coffee is ground, it enters to the dispenser/dose. To regulate the quantity that should come out every time you pull the dosage lever, turn the coffee resgiter .

- Clockwise: Less coffee quantity .
- Anti clockwise: More coffee quantity .

This form of regulation allows to serve from 6 to 11grs of coffee per stroke, but the ideal messure is 7grs for each coffee to prepare.

**Concordia 1178/86 (C1487DIX)**  
**Cuidad Autonoma de Buenos Aires**  
**Tel. (54 11) 46710852 (rotativas) Fax. (5411) 4636 1072**  
**e-mail: [rilo@dd.com.ar](mailto:rilo@dd.com.ar)**  
**[www.rilo.com.ar](http://www.rilo.com.ar)**