



Express
Versión: 3.0

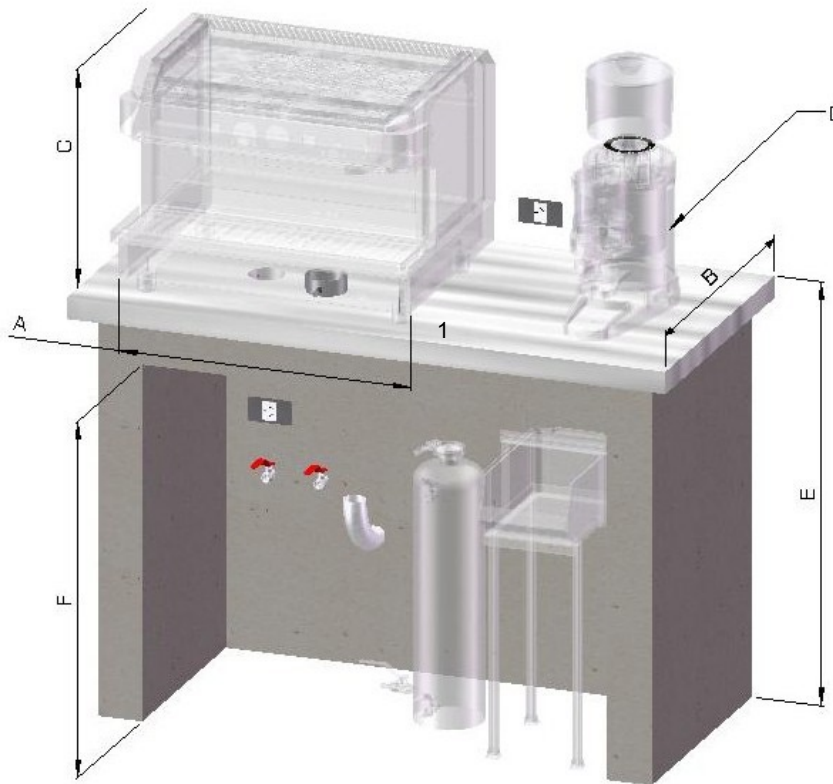
Instruction manual

More information go to www.rilo.com.ar/products

NOTE TO THE INSTALLER:

READ CAREFULLY.

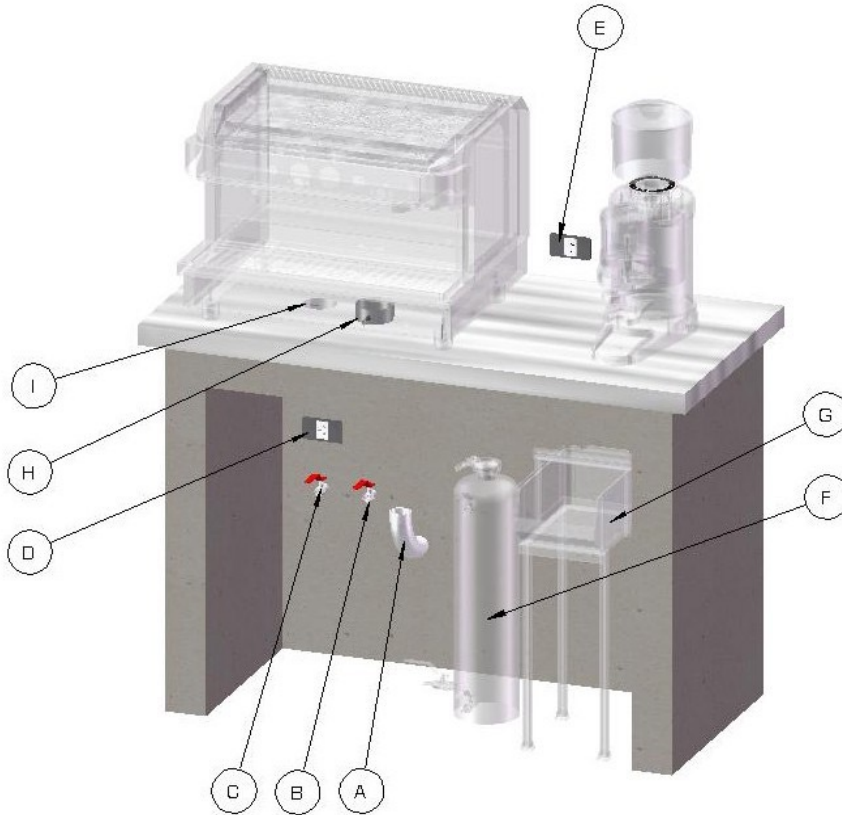
The worksurface should have the appropriate size to place both the coffee machine and grinder. It should also have enough space underneath the worksurface to accommodate the pump – in case that is not a built-in pump- comfortably, the dechlorinating filter or water softener and the and the knock boxes.

ESTIMATIVE MEASUREMENTS

MACHINE	WIDTH (A)	DEPTH (B)	HEIGHT (C)
2 GROUPS	670 mm	510 mm	480 mm
3 GROUPS	810 mm	510 mm	480 mm
4 GROUPS	980 mm	510 mm	480 mm
GRINDER (D)	200 mm	350 mm	500 mm

E: MAXIMUM HEIGHT OF THE WORKSPACE: 950mm (95cm)

F: MINIMUM HEIGHT OF THE WORKSPACE: 850mm (85cm)



INSTALLATION

A. WATER DRAINING

A lead or plastic pipe of 1½" at least, should be attached to a ½" hose coming from the drain box of the machine.

B. WATER SUPPLY

It Should end with a water valve with a screw top or a thread of ½". If the machine has a built-in pump connect to the valve an 8 mm rubber hose. In case the engine should be separated, connect the hose to the pump entry.

ATTENTION: In every case you should let run plenty of water, before you start operating the machine in order to dispose the pipes from any residue that could have been left during the construction.

C. GAS SUPPLY

It should be of a galvanized iron pipe, finished with a valve with a screw top or thread of $\frac{1}{2}$ ". The connection from the gas main valve to the machine gas valve has to be done with a $\frac{5}{16}$ " copper pipe and a female $\frac{1}{4}$ " coupling.

ATTENTION: In every case you should let run plenty of water, before you start operating the machine in order to dispose the pipes from any residue that could have been left during the construction.

D. ELECTRIC ENERGY (UNDER-COUNTER CABINET)

All machine and coffee grinder components function at 220V C.A. 50/60Hz with ground connection. (110 V C.A. only upon request) Install a 4 plug electrical outlet of 10A for the coffee machine if it is gas heated. If the heating is dual or electric it should be 20A

E. ELECTRIC ENERGY (OVER-COUNTER CABINET)

Take notice to use a 10° ground connection for the grinder.

F. WATER PURIFIER

It should have enough space under the counter (see section for its maintenance)

G. KNOCK BOX

It should have enough space under the counter

H. DRAINING BOX

The $\frac{1}{2}$ " hose coming from the draining pipe should be inserted into the draining box (A).

I. DRILLING OF THE COUNTER (WORK SPACE)

Present the coffee machine on the counter top and make a 80 mm diameter perforation placed 500mm from the left side and 150mm from the front of the baseboard of the machine.

IMPORTANT

It might happen unexpectedly or for any reason, that your water supply service is interrupted, what would affect the normal functioning of your RILO coffee machine.

In order to avoid that certain components suffer serious damages, your RILO machine has been equipped with the innovative BA-3 system.

The BA-3 it's an alarm system and cut-off time control, which interrupts the the functioning of the pump and emits a sound signal when there is a lack of the water supply/ mains.

This system was programed to cutt off the filling process at 90 seconds. Hence, the technician who makes the installation, while doing the first load has to take into account , that he should turn on and off the coffee machine as many times as the boiler reaches its proper level.

NOTE: Take notice that the size of the boilers vary with each different model. This means that the filling process of bigger models might requier that the turning on and off it's done many more times.

RECOMENDATIONS FOR THE INSTALLATION TECHNICIAN

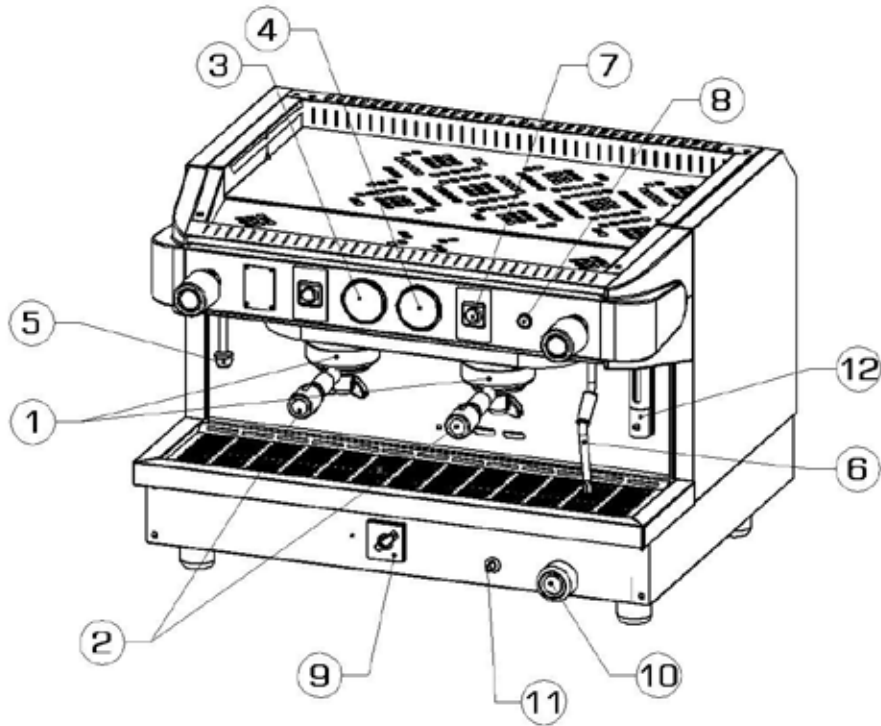
WATER:

If possible connect the machine to a water supply with 1 bar/cm² pressure, with ½" water pipes and a lock water valve which is very important to check ii is in the "opne" position.

DRAINAGE:

The fall of water it's because of the level differences, therefore, it' shouldn't exist undulations in the way of the drainage hose to the free fall.

GET TO KNOW YOUR RILO COFFEE MACHINE



1. Coffee groups.
2. Coffee filter-holders
3. Boiler manometer
4. Electropump manometer
5. Hot water tap
6. Steam wand
7. Group switch
8. Red light boiler resistance (**)
9. On/off Switch
10. Gas knob (*)
11. Switch on button(*)
12. Level tube indicator



- (*): Only in gas and dual machines
 (**): Only in electric and dual machines

SPECIAL CARE AT THE BEGINING OF THE OPERATION

Verify that the water leve is always on the middle of the glass tube(12).

Before start the daily operation of the machine, let hot water run through the groups (1) with the filter holders (2) on to promote the warming of the set and the rinsing of them.

Verify that the grinding it's just right and that the amount of ground coffee is the correct one. One stroke for the simple coffee filter and two for the double.

If you don't operate or use the machine for more tan 10 (ten) minutes, when you resume the operation let run some water through the groups (2).

GENERAL CONSIDERATIONS FOR THE MANTEINANCE OF THE RI-LO COFFEE MACHINE.

Check the cleansing of the groups' showers.

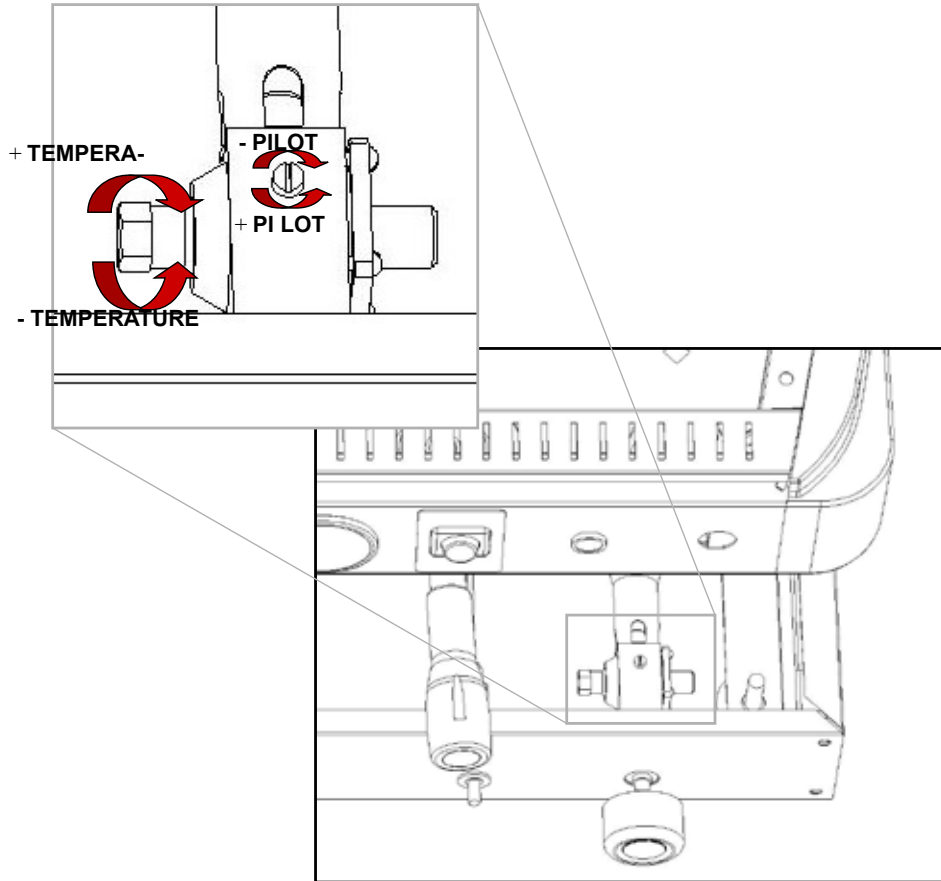
Checkthe cleansing of the filterholders and the coffee filters.

Check the cleansing of the boilers due to the inlay produced by the scale/fur/tartar.

For every machine that's being permanently in use, is advisable that a specialized technician makes a check up to evulate the possible manteinance tasks.

INSTRUCTIONS FOR THE TECHNICIAN

ON THE GAS REGULATION



MAXIMUM TEMPERATURE CALIBRATION.

1. Cut off the electricity between the coffee machine and the main electricity supply.
2. Remove the lid of the pressure switch pulling from the superior edge of the lid.
3. Connect again the machine to the main electricity supply. At this point and after some time the machine will start raising steam pressure in the boiler until it stops.
4. Two options might come up:

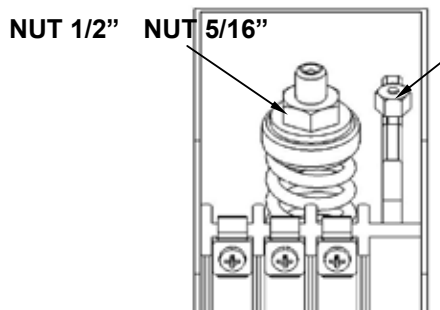
Option 1

If the cut were produced before the desired pressure, do the following: Cut the electricity supply and with a $\frac{1}{2}$ " box wrench, turn the nut to the right (clockwise), no more than one turn at a time.

Connect again the machine to the main electricity supply and if you achieve to reach the desirable pressure rise, cut again the electric supply and loosen the nut but this time to the left (anti-clockwise) until you notice that the contacts triggers themselves, which means that the operation is complete.

Option 2

If after some time the machine started to raise steam and it surpassed the desired pressure by you with the regulation that comes from manufacturing, the main electric supply must be cut off, let it cool down and when the steam pressure is going down a through the desired pressure, take a $\frac{1}{2}$ " box wrench and turn the nut anti-clockwise softly until you fell the contacts trigger themselves, this means the operation is complete.



Important: The pressure switches are delivered already calibrated, nevertheless, if you want to regulate it yourself, please follow the previous steps.

CALIBRATION OF THE DIFFERENTIAL OF THE SYSTEMS OF MAXIMUM IGNITION (disconnection) AND MINIMUM (re-connection) .

To modify the differential pressure handle the 5/16" nut. Turning to the right the difference increases (greater fall of pressure before the re-connection). This settles , with a slot, over a pair of cogs on the arm of the valve. When it turns, you will notice everytime it falls into that position (1/2 turn).

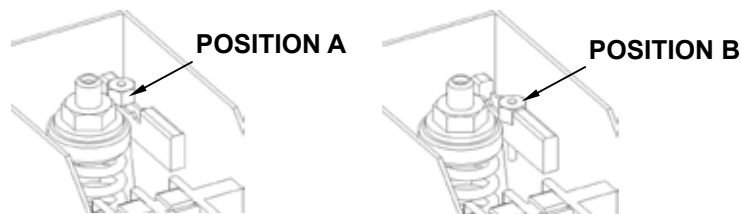
Re-connect electrically so the pressure switchs makes the disconnection and re-connection, while observing the indication in the manometer. If it is necessary repeat the previous steps.

There, as well, are two different positions for the support of the nut,"A" and "B" without having to handle the 5/16" nut.

To pass the nut from one position to the other ("A" or "B"),you just have to scroll it inside the slot. As it is hold by the spring, it will make a click going from one support to the other.

With the nut supported on the "A" cogs the result obtained will be from medium to maximum. To reach the minimum differential value you should pass to point "B" (this is the appropriate point for our coffee machine).

Take note: It is necessary that the diferecial pressure it's kept at its highest level possible, to ensure a greater support strength between that contacts.



A lower support strength produces an excessive splutter/sparkling in the contacts, specially when the electric charge is high.

Before leaving the pressure switch working, please check that that electric connections are firmly tighten and the nut that regulates the differential system are well fit over the cogs, so it won't move because of vibrations.

DESCRIPTION OF THE ELECTRIC CONNECTIONS

From the electric point of view the pressure switch it's a tri-polar interruptor –which uses only 2 poles- that allows the controlling of the connection and disconnection of the resistance that heats the boiler.

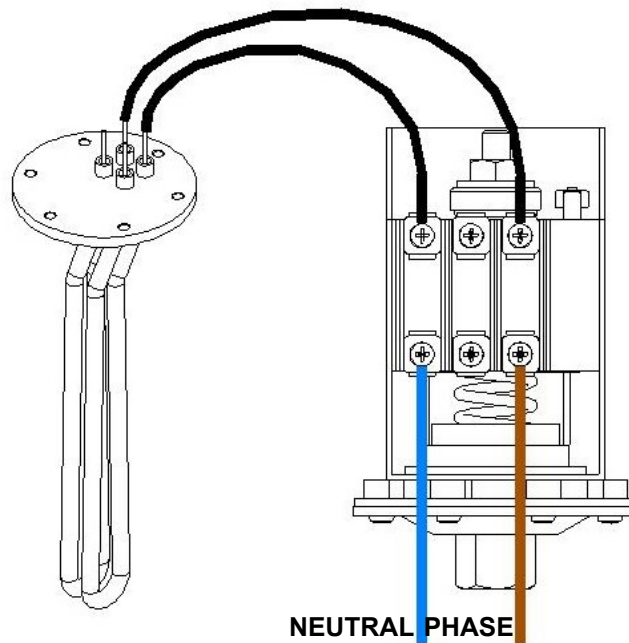
To replace a faulty pressure switch follow these next steps:

Cutt off the electric supply from the machine. Remove the lid pulling from the superior edge. Unplug the wires removing the screws from electrical connection sockets of the pressure switch

Make sure the pressure of the boiler it's in zero. If it is not in zero open the steam valve to ensure the total decompression of the boiler. Disconnect the the entry of pressure from the lower part of the pressuere switch.

Remove it from the support and replace it for an original spare part.

Re connect the pressure entry and the cables as it's shown in the next scheme:



To take note: The central pole of the pressure switch it's not connected. If the fault is verified in one of the two poles in use, you have the possibility to change the positions of the wires from the faulty pole connecting them to the central pole.

IMPORTANT: DO NOT BYPASS OR TRY TO JUMPER NEITHER OF THE POLES OF THE PRESSURE SWITCH IN ORDER NOT TO COMPROMISE THE ELECTRIC SAFETY OF THE MACHINE.

Concordia 1178/86 (C1487DIX)
Cuidad Autonoma de Buenos Aires
Tel. (54 11) 46710852 (rotativas) Fax. (5411) 4636 1072
e-mail: rilo@dd.com.ar
www.rilo.com.ar